

DM - 1000W wall mounting dimmer was designed to cover the needs on lighting and ventilation control on house and partly professional fields. It is an absolutely safe, reliable and good looking product manufactured with special integrated circuits and good quality, resistant plastic parts for cases of function and use under adverse conditions, equipped with one of the best antiparasitic systems.

Control:

DM - 1000W wall mounting dimmer is equipped with a rotary potentiometer (for lighting intensity increase/decrease) with embedded button (ON - OFF) for its function to activate and deactivate.

Lower level setting: DM - 1000W has the ability to adjust the minimum level of output power so that it can be used to control electric single phase motors, in which it is essential to prevent the dimmer from delivering less power than it is necessary to turn the motor on.

This process is achieved by adjusting a potentiometer (trimmer) located on the side of the product.

Installation instructions

- 1) To prevent fire or electrical shock, the installation must be done by qualified personnel. Any error during installation or wrong use may cause severe accident.
- 2) Install the product according to the draft of electrical installation.
- 3) Do not install different type of loads (Capacitive - Inductive). Especially for LED lamps is recommended to use the same type.

Safety Operation Instructions

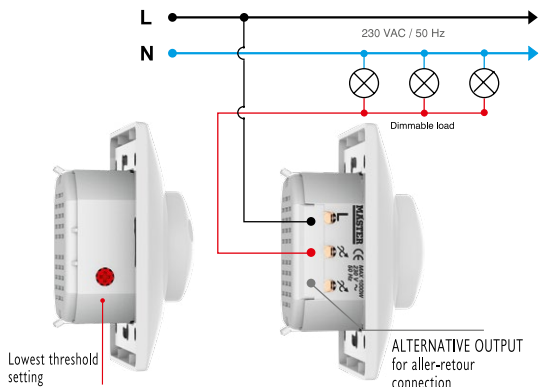
- In case of overheating or overload, the available load is automatically reduced.
In order to avoid this situation:
 - Reduce the number of connected loads at the output of the product.
- In case of using the product with electronic transformer, they must have indication of compatibility with semiconductor switching devices (dimmer).

The product complies with the requirements of the following EU Directives.

• 2014/30/EE (EMC) • 2014/35/EE (LVD)



DRAFT OF ELECTRICAL INSTALLATION



TECHNICAL SPECIFICATIONS

DIMMER	Multi - Aller retour
FUNCTION	180 - 230VAC
POWER LINE FREQUENCY	50Hz
LOAD MAX	1000Watt (Maximum number of lamps Dimmable LED)
POWER CONSUMPTION (NO LOAD)	3 Watt
ENVIRONMENTAL CONDITIONS	Operating temperature -20 °C to + 50 °C Storage temperature -20 °C to + 60 °C
WIRE SIZE	Flexible capacity \varnothing 0.5mm ² to 3.5mm ² , Rigid capacity \varnothing 0.5mm ² to 3.5mm ²
MOUNTING	Electrical box switch >40mm depth

CONTROL LOAD

R	L	C / L			
RESISTIVE	INDUCTIVE	CAPACITIVE / INDUCTIVE / FILAMENT			
1000W	1000VA	1000VA	1000W	1000W	1000W
4W	4VA	4VA	4W	4W	4W

When this product is placed out of service, it must withdraw according to the national legislation and environmental protection requirements.